



GRANT CONDENSING OIL BOILER RANGE

Internal and external oil-fired
condensing boilers with outputs
from 12kW to 70kW



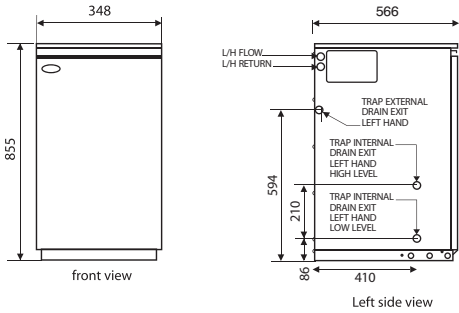
EFFICIENT HEATING SOLUTIONS

Grant Vortex Condensing Indoor Range

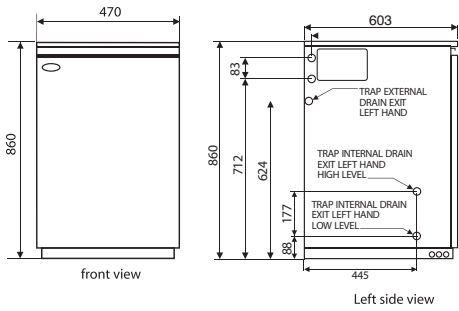
Grant Vortex Kitchen/Utility Models

Dimensions (mm)

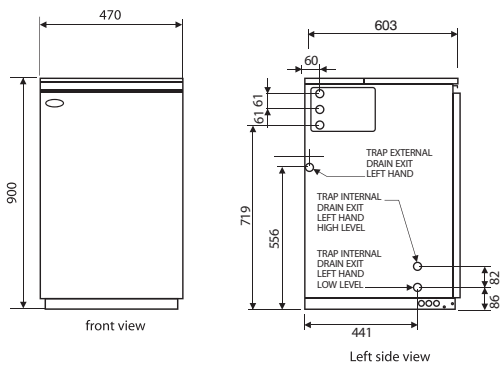
Grant Vortex 15-21 Kitchen/Utility



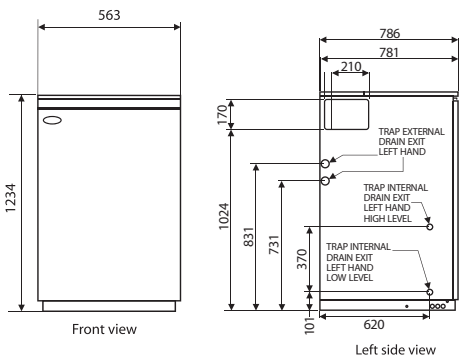
Grant Vortex 15-26 Kitchen/Utility and System



Grant Vortex 26-36 and 36-46 Kitchen/Utility and System

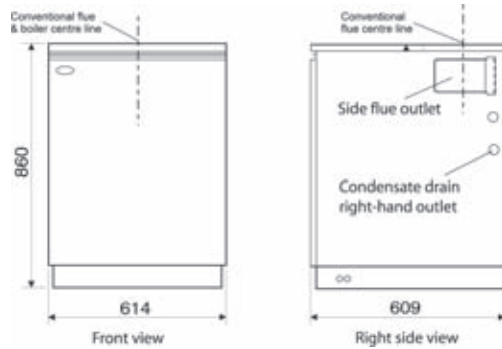


Grant Vortex 46-58 and 58-70 Kitchen/Utility

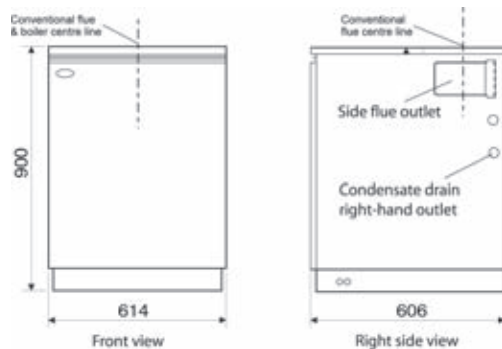


Model shown: VTX15/21 (front view)

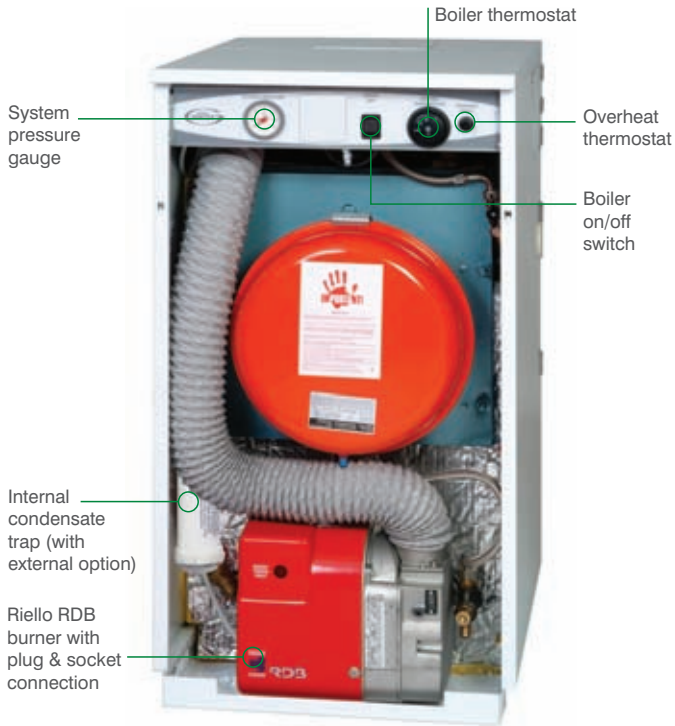
Grant Vortex Combi Internal 26e



Grant Vortex Combi Internal 36e

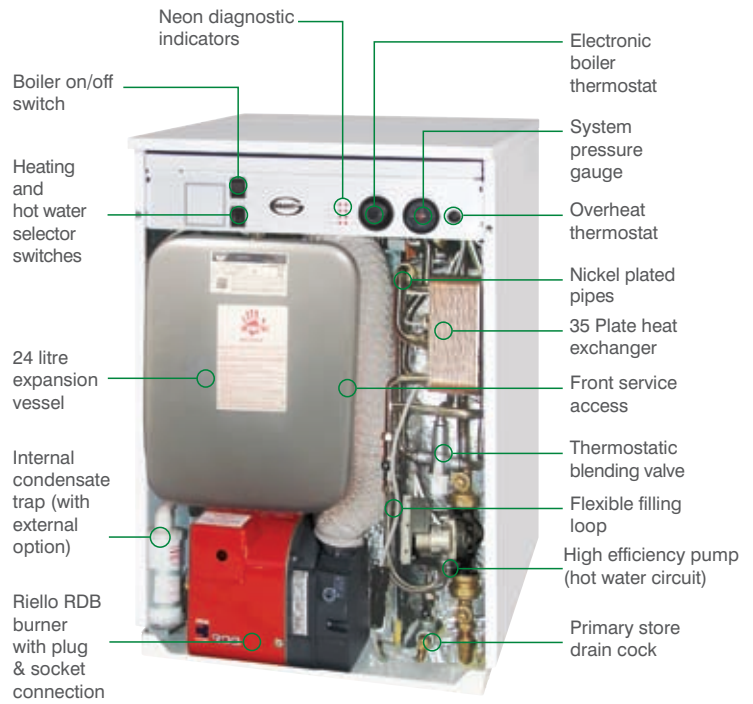


Grant Vortex Kitchen/Utility Sealed System Models



Model shown: VTXS15/26 (front view)

Grant Vortex Combi Internal Models



Model shown: VTXCOMBI26 (front view)

Technical Specifications											
Model	Kitchen/Utility Models						Kitchen/Utility System Models			Vortex Combi Internal Models	
	15-21	15-26	26-36	36-46	46-58	58-70	15-26S	26-36S	36-46S	26	36
Output kW	15 to 21	15 to 26	26 to 36	36 to 46	46 to 58	58 to 70	15 to 26	26 to 36	36 to 46	26	36
Output Btu/h	50-70,000	50-90,000	90-123,000	123-157,000	157-200,000	200-240,000	50-90,000	90-123,000	123-157,000	90,000	123,000
Efficiency	93%	95%	97%	92.6%	94.1%	93.6%	95%	97%	92.6%	92.2%	94.2%
Flow connection	22mm	22mm	28mm	28mm	1 1/4" BSP	1 1/4" BSP	22mm	28mm	28mm	22mm	28mm
Return connection	22mm	22mm	28mm	28mm	1 1/4" BSP	1 1/4" BSP	22mm	28mm	28mm	22mm	28mm
Cold water in (system kit)	n/a	n/a	n/a	n/a	n/a	n/a	15mm	15mm	15mm	15mm	22mm
Hot water out	n/a	n/a	n/a	n/a	n/a	n/a	n/a	n/a	n/a	15mm	22mm
Pressure relief (system kit)	n/a	n/a	n/a	n/a	n/a	n/a	15mm	15mm	15mm	15mm	15mm
Weight (dry)	97kg	130kg	144kg	150kg	268kg	282kg	138kg	167kg	168kg	177kg	200kg
Condensate pipe	21.5mm OD plastic overflow pipe										

Note 1: The boiler flow and return connections exit the casing on the left or right hand side.

Note 2: Grant Vortex Kitchen/Utility, Grant Vortex internal and external condensing Combi boilers are suitable for fully pumped systems only.

Note 3: SAP 2005 annual efficiencies.

Note 4: For Combi hot water performance see back page.

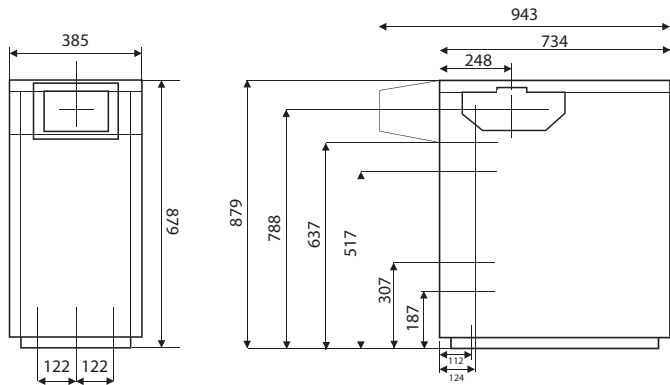


*System models only

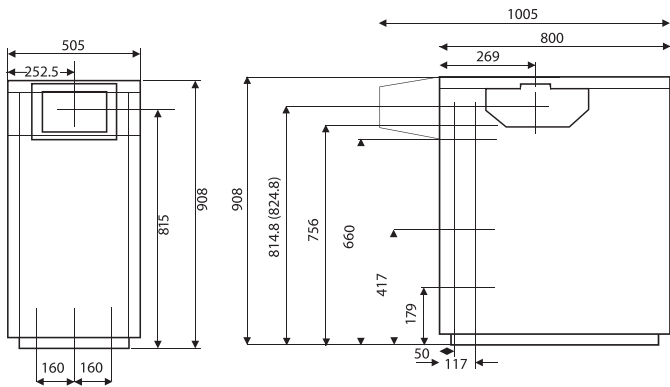
Grant Vortex **External** Range

Dimensions (mm)

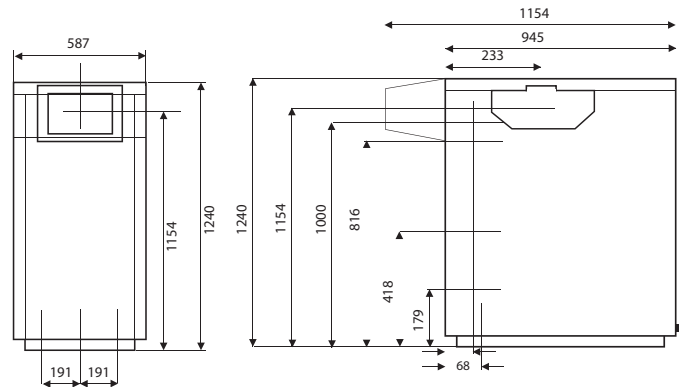
Grant Vortex External 15-21



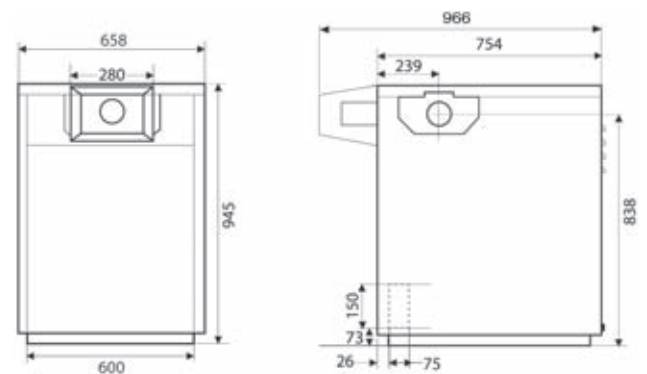
Grant Vortex External 15-26 26-36 36-46



Grant Vortex External 46-58 58-70

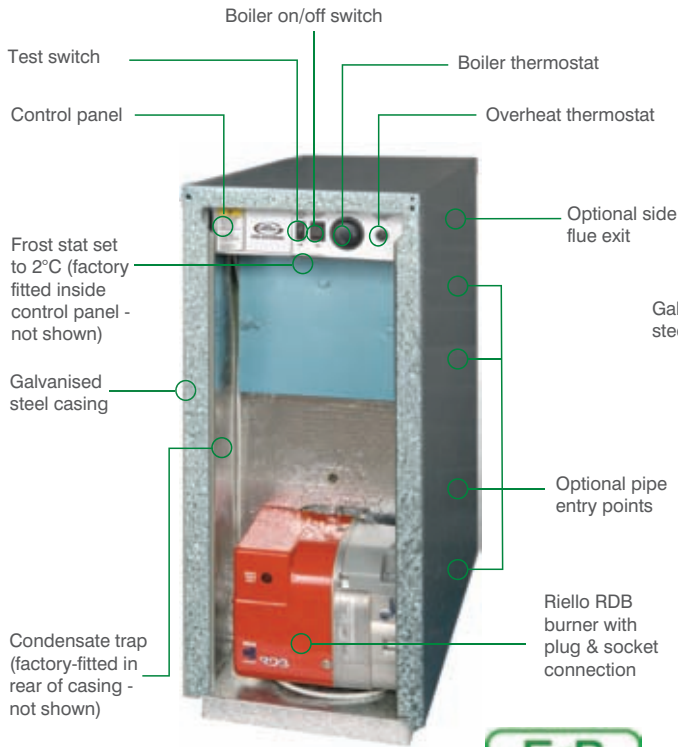


Grant Vortex Combi External 26e and 36e

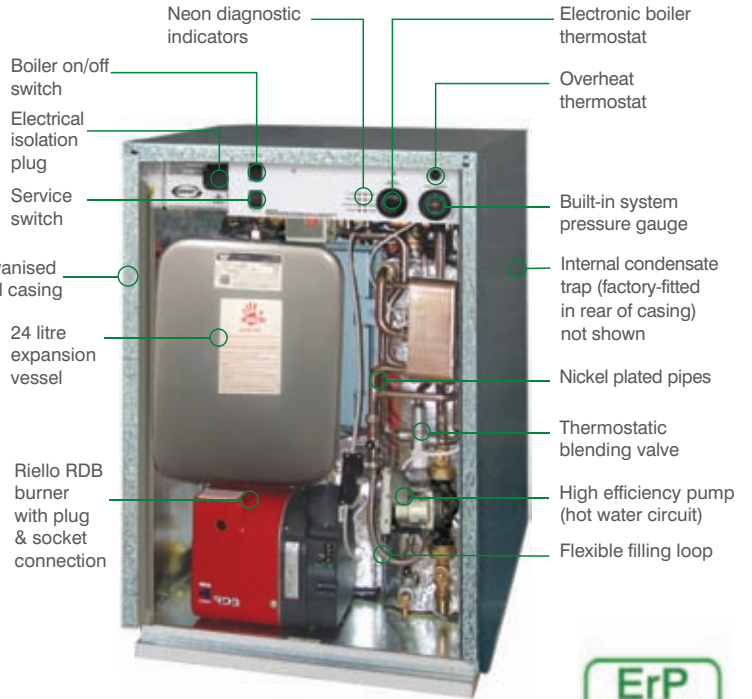


Grant Vortex External Modules

Grant Vortex Combi External Modules



Model shown:
VTXOM15/26 (front view)



Model shown:
VTXOMCOMBI26 (front view)



Technical Specifications - Boiler Connections

Model	Vortex External Modules						Vortex Combi External Modules	
	15-21	15-26	26-36	36-46	46-58	58-70	26	36
Output kW	15 to 21	15 to 26	26 to 36	36 to 46	46 to 58	58 to 70	26	36
Output Btu/h	50-70,000	50-90,000	90-123,000	123-157,000	157-200,000	200-240,000	90,000	123,000
Efficiency	93%	95%	97%	92.6%	94.1%	93.6%	92.2%	94.2%
Flow connection	22mm	22mm	28mm	28mm	1 1/4" BSP	1 1/4" BSP	22mm	28mm
Return connection	22mm	22mm	28mm	28mm	1 1/4" BSP	1 1/4" BSP	22mm	28mm
Cold water in (system kit & combi)	15mm	15mm	15mm	15mm	15mm	15mm	15mm	22mm
Hot water out (combi)	n/a	n/a	n/a	n/a	n/a	n/a	15mm	22mm
Pressure relief (system kit & combi)	15mm	15mm	15mm	15mm	15mm	15mm	15mm	15mm
Weight (dry)	109kg	143kg	162kg	168kg	274kg	288kg	206kg	225kg
Condensate pipe	21.5mm OD plastic overflow pipe							

Note 1: All boiler connections can be positioned to the left or right of the appliance.
Note 2: Grant Vortex Condensing modules are suitable for fully pumped systems only.
Note 3: For Combi hot water performance, see page 12.
Note 4: SAP 2005 annual efficiencies.



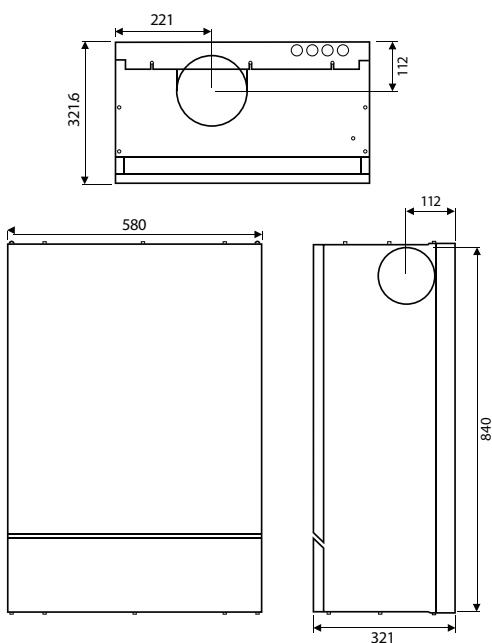
*Combi models only

Grant Vortex **Wall Hung** Range

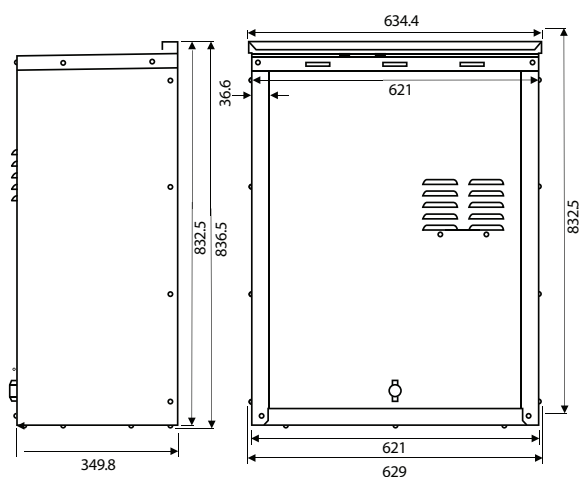


Dimensions (mm)

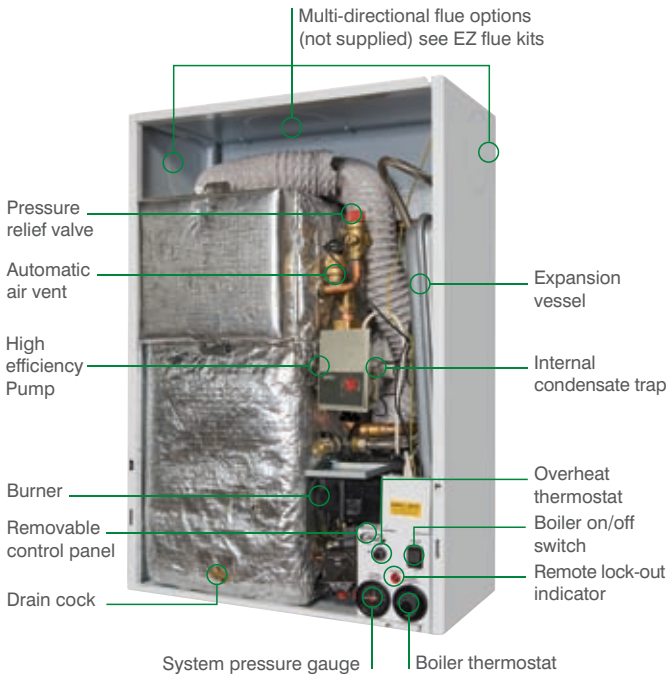
Grant Vortex Wall Hung Internal 12-16, 16-21



Grant Vortex Wall Hung External 12-16, 16-21

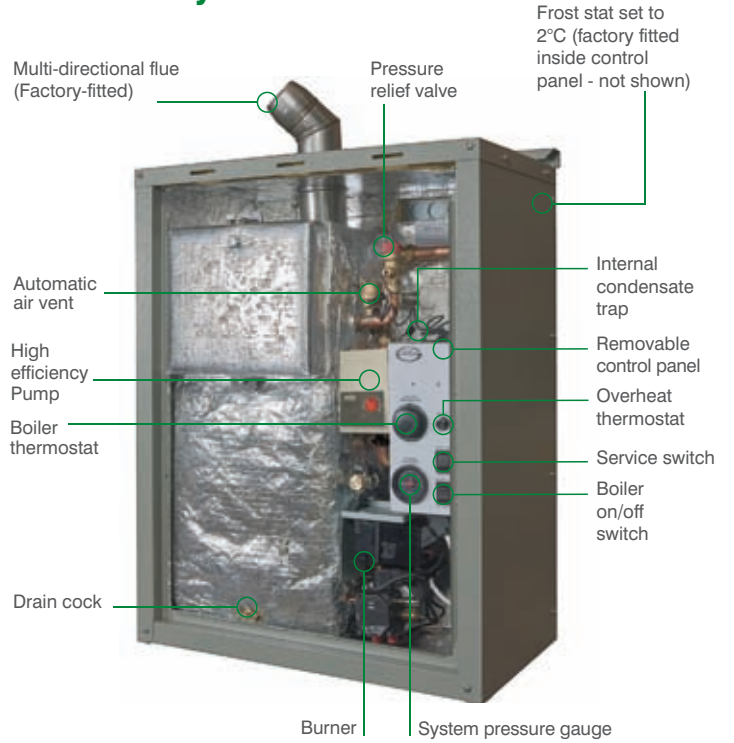


Grant Vortex Wall Hung Internal/ Internal System Models



Model shown:
VTXSWH12/16 (front view)

Grant Vortex Wall Hung External/ External System Models



Model shown:
VTXSOMWH12/16 (front view)

Technical Specifications

Model	Internal Models		Internal System Models		External Modules		External System Modules	
	12-16	16-21	12-16	16-21	12-16	16-21	12-16	16-21
Output kW	12 to 16	16 to 21	12 to 16	16 to 21	12 to 16	16 to 21	12 to 16	16 to 21
Output Btu/h	40-55,000	55-70,000	40-55,000	55-70,000	40-55,000	55-70,000	40-55,000	55-70,000
Efficiency	94.9%	93.8%	94.9%	93.8%	94.9%	93.8%	94.9%	93.8%
Flow connection	22mm	22mm	22mm	22mm	22mm	22mm	22mm	22mm
Return connection	22mm	22mm	22mm	22mm	22mm	22mm	22mm	22mm
Cold water in	n/a	n/a	15mm	15mm	n/a	n/a	15mm	15mm
Pressure relief	n/a	n/a	15mm	15mm	n/a	n/a	15mm	15mm
Weight (dry)	86kg	86kg	98kg	98kg	93kg	93kg	97kg	97kg
Condensate pipe	21.5mm OD plastic overflow pipe							

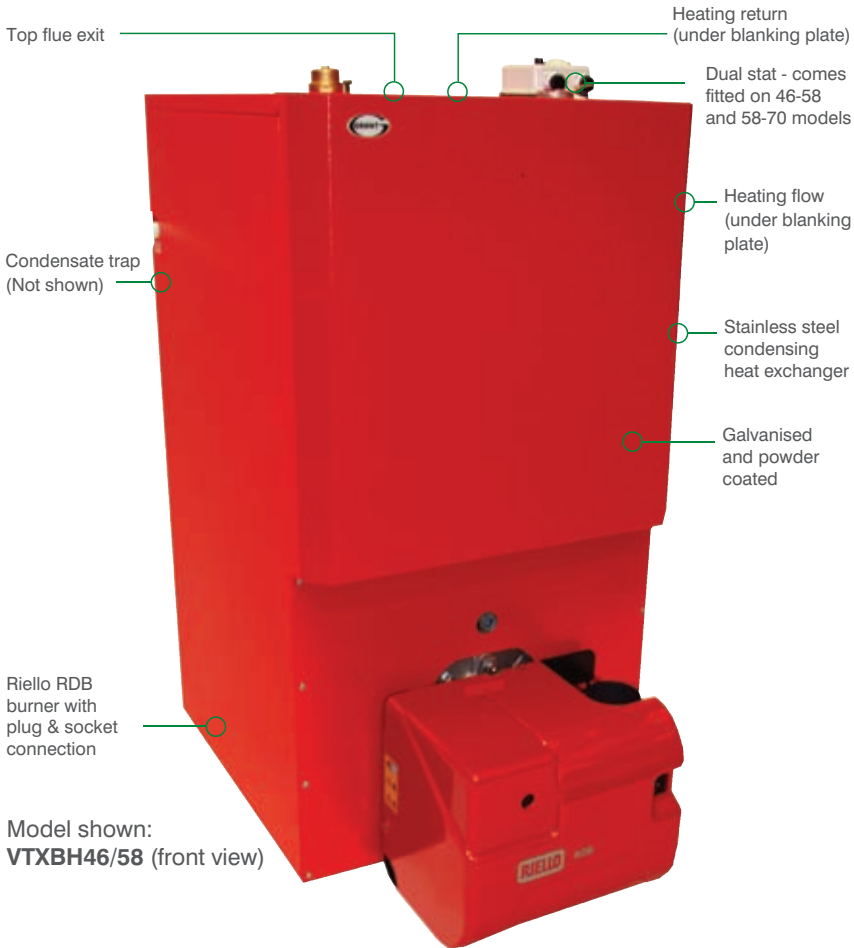


*System models only

Note 1: The boiler flow connection exits the casing on the top or bottom.
Note 2: The return connection is located on the right and the condensate drain on the left.
Note 3: SAP 2005 annual efficiencies.

Grant Vortex Boiler House Range

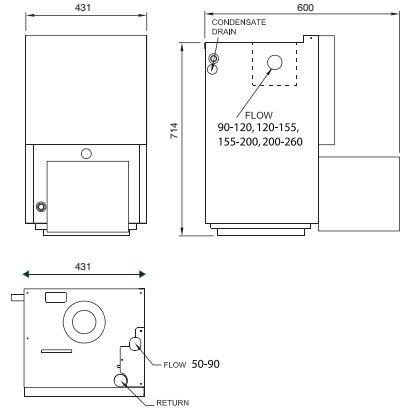
Grant Vortex Boiler House Models



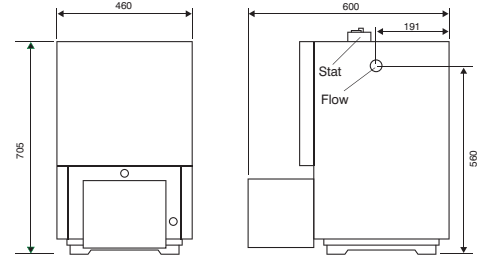
Model shown:
VTXBH46/58 (front view)

Dimensions (mm)

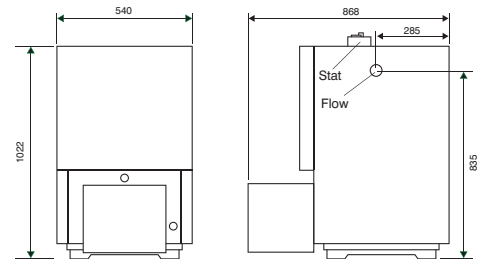
Grant Vortex Boiler House 15-26



Grant Vortex Boiler House 26-36 and 36-46



Grant Vortex Boiler House 46-58 and 58-70



Technical Specifications - Boiler Connections

Model	Vortex Boiler House Models				
	15-26	26-36	36-46	46-58	58-70
Output kW	15 to 26	26 to 36	36 to 46	46 to 58	58 to 70
Output Btu/h	50-90,000	90-123,000	123-157,000	157-200,000	200-240,000
Efficiency	95%	97%	92.6%	94.1%	93.6%
Flow connection	28mm	28mm	28mm	1 1/4" BSP	1 1/4" BSP
Return connection	1" BSP	1" BSP	1" BSP	1 1/4" BSP	1 1/4" BSP
Cold water in (system kit)	n/a	n/a	n/a	n/a	n/a
Pressure relief (system kit)	n/a	n/a	n/a	n/a	n/a
Weight (dry)	125kg	143kg	145kg	257kg	301g
Condensate pipe	21.5mm OD plastic overflow pipe				



*System models only

Note 1: The boiler flow and return connections exit the casing on the left or right hand side.

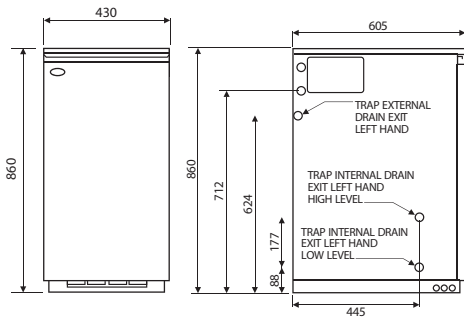
Note 2: Grant Vortex Boiler House boilers are suitable for fully pumped systems only.

Note 3: SAP 2005 annual efficiencies.

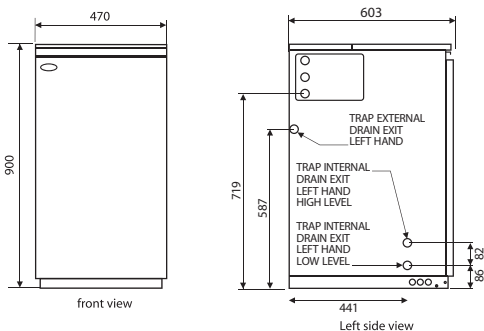
Grant Euroflame Kitchen/Utility Range

Dimensions (mm)

Grant Euroflame 15-21 and 21-26 Utility and System



Grant Euroflame 26-35 Utility and System



Condensate Removal

The condensate trap is now factory fitted within the white case on Grant Euroflame Utility boilers, but can also be positioned externally if preferred.

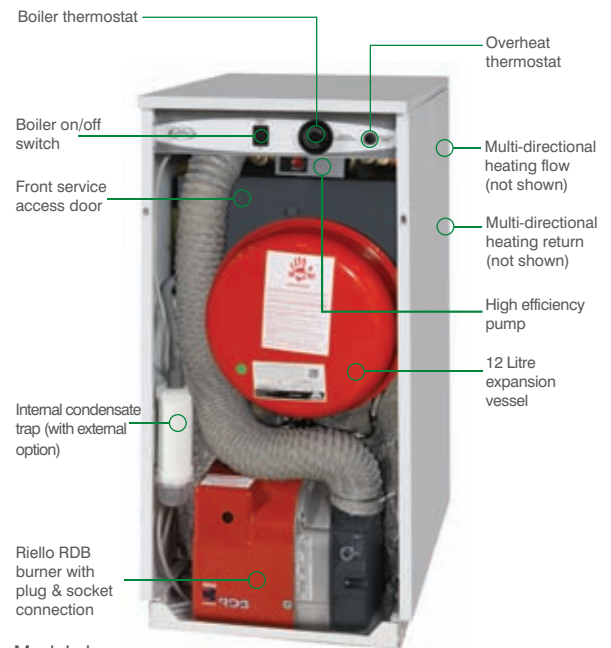
Flueing

Utility models are compatible with all of Grant's EZ-Fit flue options and capable of being flued from the top, rear, left or right hand sides of the appliance.

Sealed System Models

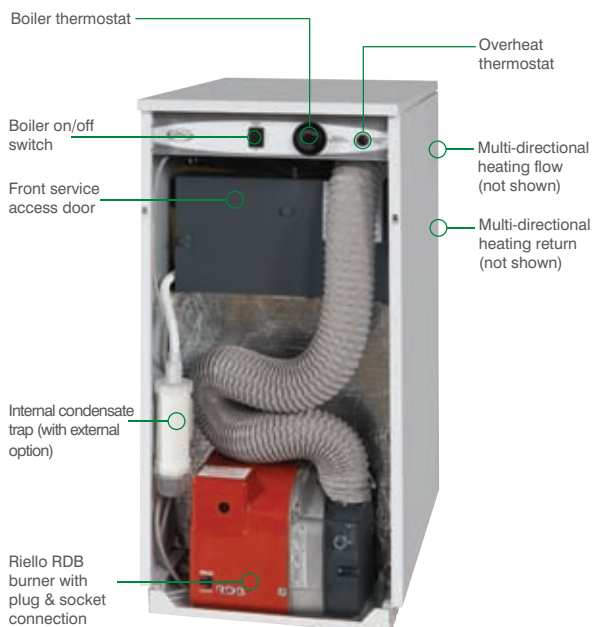
Grant Euroflame Utility boilers are also available in sealed system versions. These include a factory fitted expansion vessel, filling loop, pressure gauge, automatic air vent, pressure relief valve and high efficiency circulating pump, enabling boilers to be installed without the need for a feed and expansion tank in the loft.

Grant Euroflame Kitchen/Utility System Models



Model shown:
EUROFLAME15/21 (front view)

Grant Euroflame Kitchen/Utility Models



Model shown:
EUROFLAME15/21 (front view)

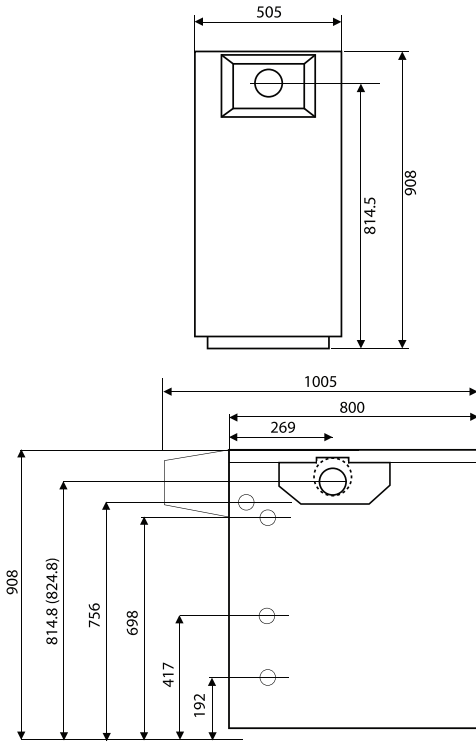
Technical Specifications	Euroflame Utility Models			Euroflame Utility System Models		
	15-21	21-26	26-35	15-21S	21-26S	26-35S
Output kW	15 to 21	21 to 26	26 to 35	15 to 21	21 to 26	26 to 35
Output Btu/h	50-70,000	70-90,000	90-120,000	50-70,000	70-90,000	90-120,000
Efficiency	93%	92.4%	92.1%	93%	92.4%	92.1%
Flow connection	22mm	22mm	22mm	22mm	22mm	22mm
Return connection	22mm	22mm	22mm	22mm	22mm	22mm
Cold water in (system kit)	n/a	n/a	n/a	15mm	15mm	15mm
Pressure relief (system kit)	n/a	n/a	n/a	15mm	15mm	15mm
Weight (dry)	97kg	97kg	127kg	123kg	123kg	138kg
Condensate pipe	21.5mm OD plastic overflow pipe					

Note 1: The boiler flow and return connections exit the casing on the left or right hand side.
Note 2: Grant Euroflame Utility boilers are suitable for fully pumped systems only.
Note 3: SAP 2005 annual efficiencies.

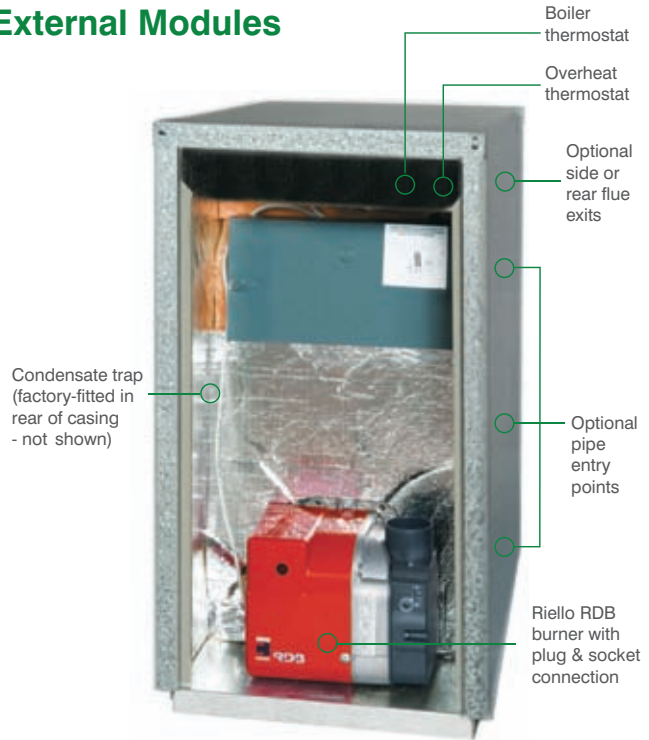
Grant Euroflame External Range

Dimensions (mm)

Grant Euroflame External and External System 15-21, 21-26, 26-35



Grant Euroflame External Modules



Model shown:
EUROFLAME MOD 15-21 (front view)

Technical Specifications

Model	Euroflame External modules		
	15-21	21-26	26-35
Output kW	15 to 21	21 to 26	26 to 35
Output Btu/h	50-70,000	70-90,000	90-120,000
Efficiency	93%	92.4%	92.1%
Flow connection	22mm	22mm	22mm
Return connection	22mm	22mm	22mm
Cold water in (system kit)	n/a	n/a	n/a
Pressure relief (system kit)	n/a	n/a	n/a
Weight (dry)	113kg	113kg	142kg
Condensate pipe	21.5mm OD plastic overflow pipe		

Note 1: All boiler connections can be positioned to the left or right of the appliance.
Note 2: Grant Euroflame External modules are suitable for fully pumped systems only.
Note 3: SAP 2005 annual efficiencies.

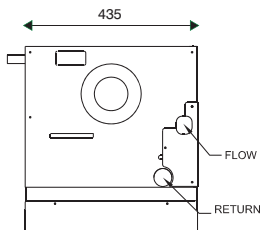
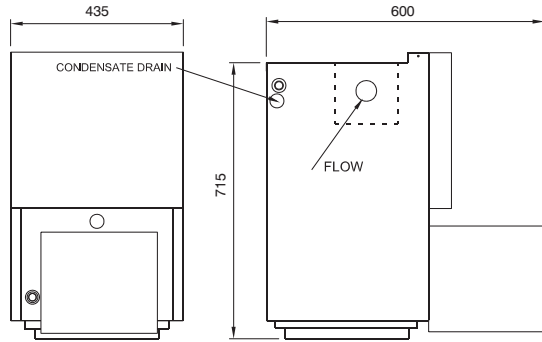


*System models only

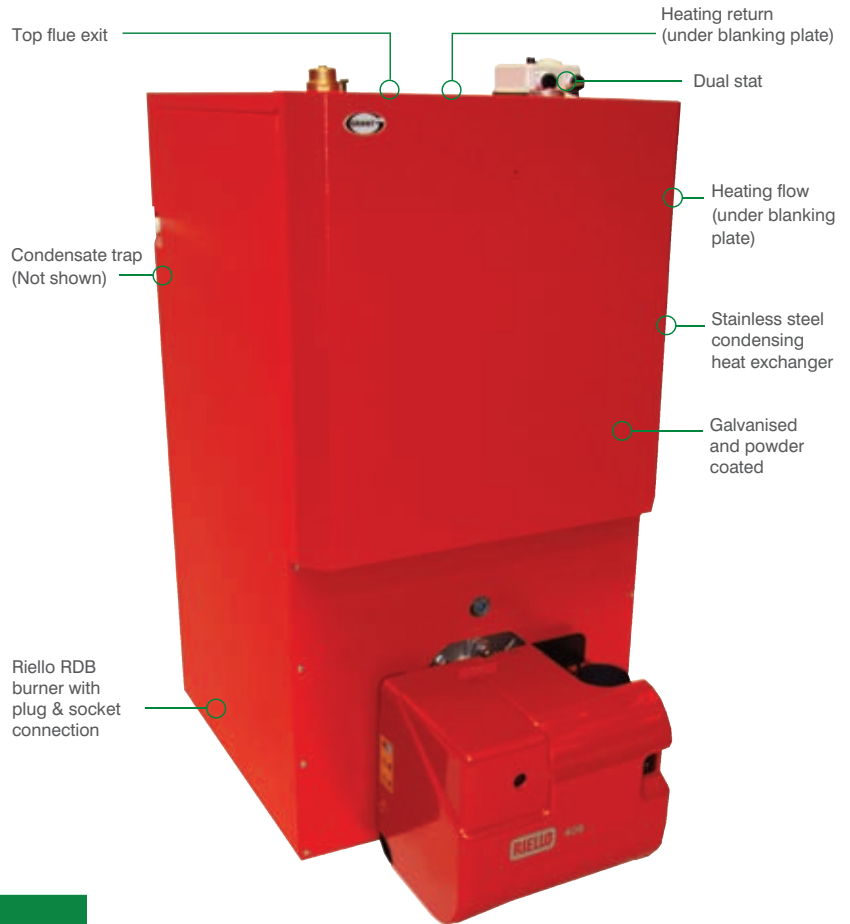
Grant Euroflame Boiler House Range

Dimensions (mm)

Grant Euroflame Boiler House 15-21, 15-26, 26-35



Grant Euroflame Boiler House Models



Technical Specifications

Model	Euroflame Boiler House modules		
	15-21	21-26	26-35
Output kW	15 to 21	21 to 26	26 to 35
Output Btu/h	50-70,000	70-90,000	90-120,000
Efficiency	93%	92.4%	92.1%
Flow connection	1"GB	1"GB	1"GB
Return connection	1"GB	1"GB	1"GB
Cold water in (system kit)	n/a	n/a	n/a
Pressure relief (system kit)	n/a	n/a	n/a
Weight (dry)	113kg	113kg	142kg
Condensate pipe	21.5mm OD plastic overflow pipe		

Note 1: All boiler connections can be positioned to the left or right of the appliance.
Note 2: Grant Euroflame Boiler House modules are suitable for fully pumped systems only.
Note 3: SAP 2005 annual efficiencies.

Flue Systems

All Grant Vortex oil-fired boilers are supplied for connection to either a 'stainless steel' conventional flue, or one of Grant's EZ-Fit flue options. The flue systems are available as low level, high level or vertical kits, for internal and external applications, and even as unique EZ-Flexi packs designed to enable condensing boilers to utilise an existing chimney. All our EZ-Fit flues carry the CE mark of approval, are adaptable to any installation, and deliver excellent value for money.

Typical Hot Water Performance

26kW Combi** 17 litres per minute at an average temperature of 50°C. Recovery time 4 minutes approx. Based upon 100 litre draw off.

36kW Combi** 20 litres per minute at an average temperature of 50°C. Recovery time 3 minutes approx. Based upon 100 litre draw off.

Mains Water Pressure

Minimum: 2.5bar (36psi). Maximum: 8bar (115psi).

** Hot water flow rate is dependent on mains pressure available.

Figures based upon an incoming mains water temperature of 10°C.

Fuel

All burners are supplied factory set at the stated output for use on standard grade Kerosene – Class C2. Grant Condensing Boilers are not suitable for use with Class D gas oil.

Installation

Installation must comply with the current Building Regulations. Comprehensive technical information can be found in the installation manual, supplied with every boiler.



Guarantees

The unique heat exchanger on the Grant Condensing Boiler is covered by a 5-year guarantee. All other component parts of the boiler are guaranteed for 2 years from the date of purchase (excluding consumable items, labour, handling or shipping), subject to being installed in accordance with the manufacturer's instructions. **On completion of the installation all Grant Condensing Boilers must be commissioned and the boiler passport returned to Grant Engineering for registration.**

After sales service

For peace of mind, all Grant Condensing Boilers are backed by a national network of service engineers.

In the unlikely event of a problem occurring, your installer should telephone our customer service department on: **(057) 9120089**. All images for illustration purposes only.

Grant Vortex Mag-One Magnetic Filter



The Mag-One (Part code: VM01) provides innovative protection for your Grant Vortex oil-fired boiler and central heating system up to 36kW. Using a simple to install, triple action filtration design, the Mag-One filters magnetite and non-ferrous debris from central heating systems with a 12000 gauss neodymium magnet.

This brochure is accurate at the time of printing but as Grant Engineering has a policy of continual improvement it may be superseded. We reserve the right to amend specifications without prior notice. The statutory rights of the consumer are not affected.

All products manufactured under I.S. EN ISO 9001.

™ THE GRANT 'EZ-FIT FLUE' SYSTEM is a Trade Mark of Grant Engineering Limited. ® Grant Aeron, Grant Spira, Grant Vecta, Grant Vortex, Grant Solar, Grant Aurora, Grant Sahara, Grant CombiSOL, Grant WinterSOL, Grant MonoWave, Grant DuoWave, Grant ThermaWave, Euroflame and Multi Pass are registered trade marks of Grant Engineering Limited. The contents of this leaflet are fully protected by copyright and nothing may be reproduced without permission from Grant Engineering.

Available from Grant Engineering



Grant Condensing Oil Boiler Range



Grant Wood Pellet Boiler Range



Grant Solar Solutions and Cylinders Range



Grant Aeron³ Air Source Heat Pump and VortexAir Oil Hybrid Range



Grant EZ-Fit Flue Systems



Grant Back Boilers



KE KELIT®
CLIMATE CONTROL SYSTEMS

KE KELIT NZ Ltd.
0800 4 KE KELIT
0800 4 5353548
climatecontrol@kekelit.co.nz
www.kekelit.co.nz